

# **STEP-KO** **PRODUCTS**

**PROTECTING ASSETS**  
**FROM THE ENVIRONMENT**

---

**PRODUCTS OVERVIEW**

## HONORED AS TOP EMERGING COMPANY

With a modest team of 16 employees, including his wife, Sara, Eunice native Byron Stephens is leading what Louisiana Economic Development has hailed as the small emerging business of 2015. Stephens started his energy service company in 2000. The company provides corrosion protection products such as pipe wrap tape, gasket kits, and pipeline markers to 42 countries around the world.

"Businesses like Step-Ko LLC are an economic driver for the state," LED secretary Stephen Moret said. "Small businesses could not be more important to Louisiana, delivering goods and services that fuel our economy across every industry section and in every geographical region of our state," Moret said.

\* Excerpt from the Sunday Advertiser: Written by Jessica Goff



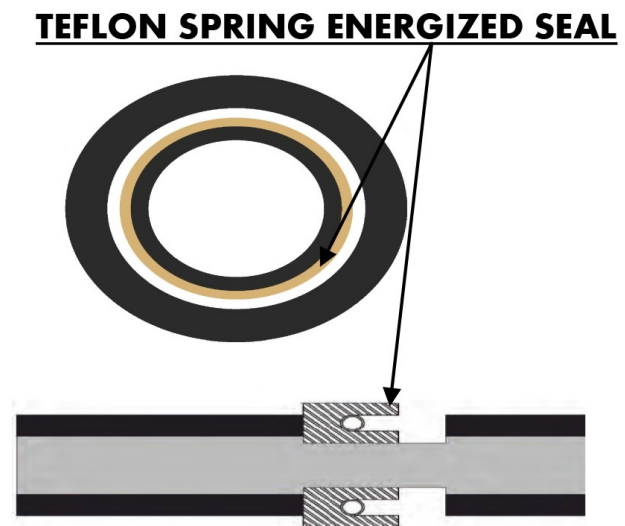
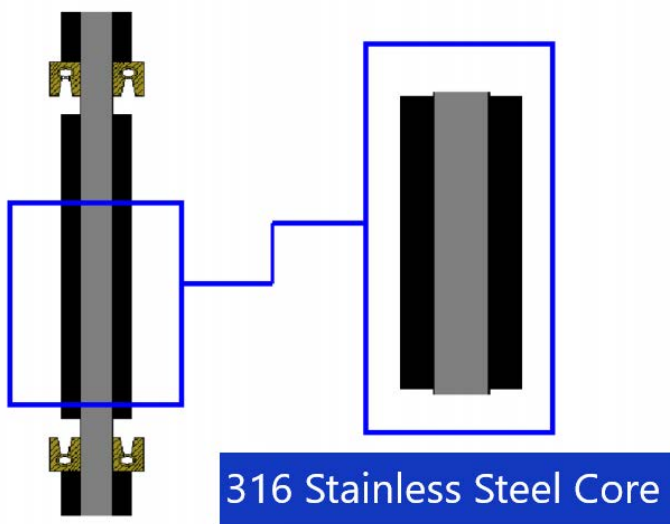
## ABOUT STEP-KO

Step-Ko Products was founded in 2000 because of a need to provide clients in the Oil & Gas and Industrial markets with responsive, professional, and courteous sales help. Over the past 20 years, Step-Ko Products, LLC has been a global provider of corrosion protective products, with sales in over 42 countries, and professional sales representatives around the world. Step-Ko Products, LLC focuses on providing clients with affordable solutions to their corrosion protection needs. Our professional and courteous staff will take the time necessary to understand your needs and ensure you are receiving products and resources that are essential to protecting your greatest assets, which include your personnel, equipment, and environment. The company is a proven innovator in corrosion protective equipment. Step-Ko Products LLC is constantly researching future protection technology in order to provide creative and innovative solutions for your corrosion protection needs.

\*Step-Ko's Flange Isolation Gasket kits are manufactured according to the AMPP (NACE) SP0286-2007 Standard to meet customer requirements to fit flange dimensions of ANSI, AWWA, MSS SP-44, B.S. 10, DIN2633, etc.

## **Assureaseal SSC Critical Service Gasket**

The Assureaseal SSC is designed for Severe Service Applications. The Gasket is suitable for sealing pipeline flanges with flow media of Hydrogen based media like gas, natural gas & oil. This Gasket material can also withstand most low concentrations of chemical based media with a temperature range of (Min-200°F) to (Max 350°F/180°C).

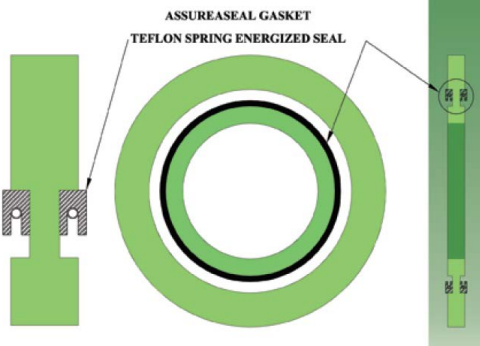


The Step-Ko Assureaseal SSC Gasket is manufactured from a GRE Epoxy Glass Laminate, that is permanently fused to a 316 Stainless Steel Core. This material offers high compression Strength for a positive sealing ability in a harsh environment, while maintaining its electrical isolation. This severe service gasket incorporates a Spring Energized Teflon Seal. The Assureaseal SSC is suitable in all services including ANSI 2500# through API 10,000# classes. The Gasket can be purchased alone for standard service gaskets or as a complete kit which includes Isolation Sleeve's, Washers, & Steel backup washers.

### **FEATURES**

- High Strength Laminate material resists failure due to excessive compression from over-torque
- Stops Galvanic Corrosion in dissimilar metal flanges
- Perfect for mating mismatched RTJ flanges with raised face flanges
- Pressure energized seals provide extreme confidence in sealing, preventing costly leaks
- Managing severe service conditions including flange vibration, temperature & pressure fluctuations

## Assureaseal HT Critical Service Gasket



The Assureaseal™ Cathodic Isolation Gasket is manufactured for vital service flange sealing and electrical isolation. The gaskets are comprised of a new age very high compression strength glass epoxy material, CBS 3111. This material has been developed proprietarily for Step-Ko Products LLC. The Assureaseal™ can be used in extreme pressurized flanges and in extreme heat which would deteriorate most other materials. The Assureaseal™ Gasket is manufactured from all composite material to prevent the internal build up causing electrical cross arc. These gaskets can provide excellent seal ability in flanges from ANSI 150# to ANSI 2500# flanges. In extreme heat applications this CBS3111 material can withstand temperature's exceeding 400°F.

The Assureaseal™ Cathodic Isolation Gasket incorporates a glass reinforced, spring energized Teflon® seal with a 316 Stainless Steel internal coil spring. These seals allow constant pressure to be applied with minimal cold flow, ultimately providing exceptional seal and cathodically isolating the flange for superior reliability. The Assureaseal Gasket can accommodate RTJ, Full and Raised face flanges. The complete kits are available to include G-10 or Mylar sleeves and G-10 isolating washers. These gaskets are manufactured from a .250" thick glass laminate as mentioned above.

## Flange Isolation Gasket Kits

### Flange Isolation Kits

Flange Isolation Kits are available for all flange sizes, types, pressure ratings and materials. Each kit is packaged in a reinforced corrugated cardboard box, which is labeled by its contents for convenience in warehousing and field use. Large diameter gaskets are packaged separately from the sleeves and washers for convenience.

Each gasket is labeled with:

- Materials (Retainer Material or Retainer/Seal Element Combination)
- Pipe Size
- ANSI Class
- Date of Manufacture

### Sleeves and Washers

Sleeves and washers are enclosed in a polyethylene bag to eliminate any possibility of loss. A chart showing the recommended sequence for tightening flange bolts is also included with each kit.



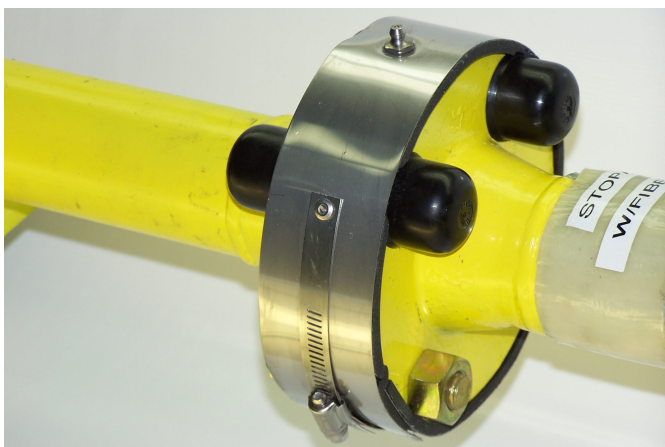


## Monolithic Insulation Joints

- Considerable money savings compared to insulating flanges
- Maintenance free
- Excellent pressure seal even if with exceptional external forces (tensile, Compression, Bending)
- Minor Current Leakage
- "CE" Certified: Suitable for potentially explosive atmosphere services



## Flange Protection System



- Extremely Durable 316 Stainless Steel Band
- Stainless Steel Worm Clamps for Easy Fastening
- Closed Cell Sealing Element for Excellent Tight Fit
- No Special Tools Required
- Higher Temperature Sealing Elements Available

### **DESCRIPTION**

The Step-Ko Products flange protector covers are used in the protection of flange faces (raised face or Ring joint type), stud bolts, and gaskets from the elements of corrosion. The Step-Ko flange protector covers are available in 316 Stainless Steel as well as Non-Metallic (plastic). Both materials come with the closed cell rubber liner for sealing protection. The Step-Ko protector covers are currently manufactured in sizes for 1/2" to 144" diameter in ANSI, API, and AWWA flanged connections. The Step-Ko flange covers systems coupled with the STOPAQ or SK-III flange fillers have been used in the protection of flanged connections for many years with much success in harsh conditions.

## Figure 137 Polycoated U-Bolts

Polyolefin Coated U-Bolts are superb for eliminating problems caused by corrosion and vibration of steel piping or plastic piping for the oil and gas, industrial and water/wastewater industries. Available in sizes through 42", the Poly Coated U-Bolts come complete with 4 nuts each and are available in plated and galvanized coatings. Each Poly Coated U-Bolt is available with support pads made of rubber or half round and full round thermoplastic pads.

**Visit [www.stepko.com](http://www.stepko.com) For Specifications**



**U-Bolt with 4 Nuts and a Rubber Pad**



**U-Bolt with 4 Nuts and a Half-Round Pad**

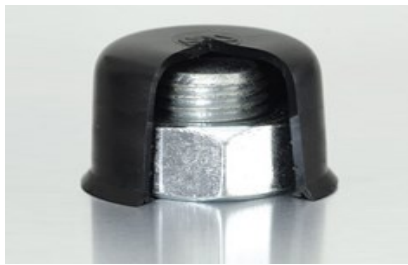


**\*1/2" - 16" U-Bolts are available in boxed quantities.  
\*18" and up are bagged individually.**

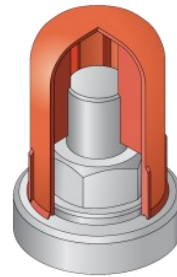


## Nut/Bolt Protection Covers

Step-Ko Products offers Polyethylene nut covers to protect the exposed bolt and nut portion of the flange connection from the elements that cause corrosion. These covers are designed to fit tight against the nut therefore protecting from costly repairs or replacements of having to cut stud bolts off. These caps have been used from the protection of bridge and tunnel bolting, to the harsh environments of offshore platforms and refinery/chemical plant applications. By choosing to protect steel stud bolts and nuts early, the nut protector will help against costly bolt replacements in the future. This is preventative maintenance at its best.



For threaded connections without washer



Different heights for larger bolt ends or locking nuts

## Insulation Jackets

Step-Ko Products' Insulation Jackets offer a broad base of superior, energy-saving solutions that conserve energy, preserve process temperatures and improve workplace safety. Insulation Jackets are commonly used to cover flanges, valves, expansion joints, heat exchangers, pumps, turbines, tanks and other irregular surfaces that carry steam, solvents, chemicals and corrosive agents. Insulation Jackets are appropriate for all high pressure and temperature applications ranging from -120°F (-84°C) to 800°F (427°C).



# PROTECTING ASSETS FROM THE ENVIRONMENT

**STEP-KO**  
PRODUCTS

P.O. Box 81396 Lafayette, LA 70598

Telephone: 337.837.4141 Fax: 337.837.4095

WWW.STEPKO.COM



MADE IN



U. S. A.

